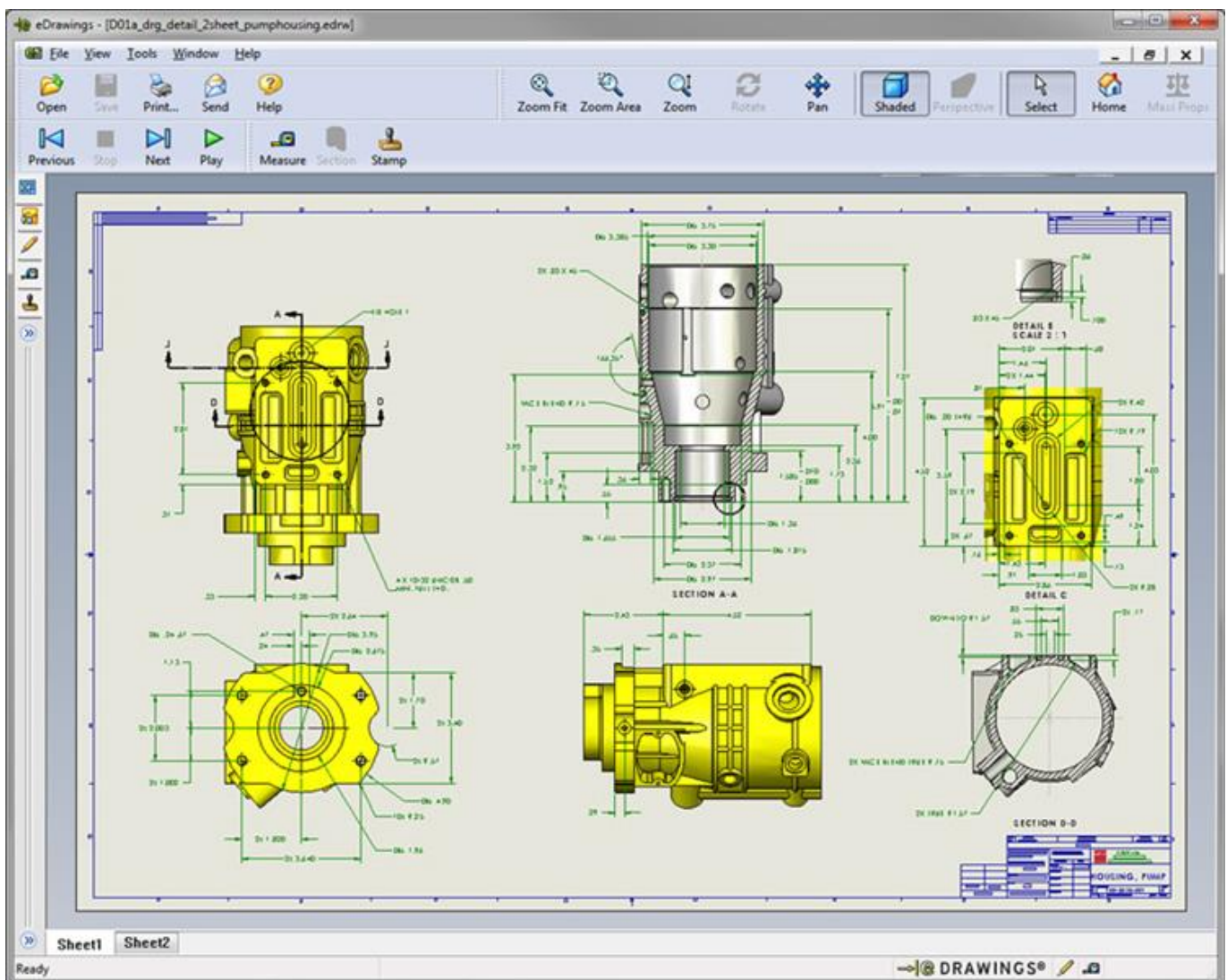


# Free Download



[Cad Cam Software Free Download Mac](#)



---

[Cad Cam Software Free Download Mac](#)

**Free Download**



---

Free Cad Cam Software CncFree Cam Software DownloadCad Cam software, free download MacromediaCNC refers to computerized numerical control and CAM refers to computer aided manufacturing.

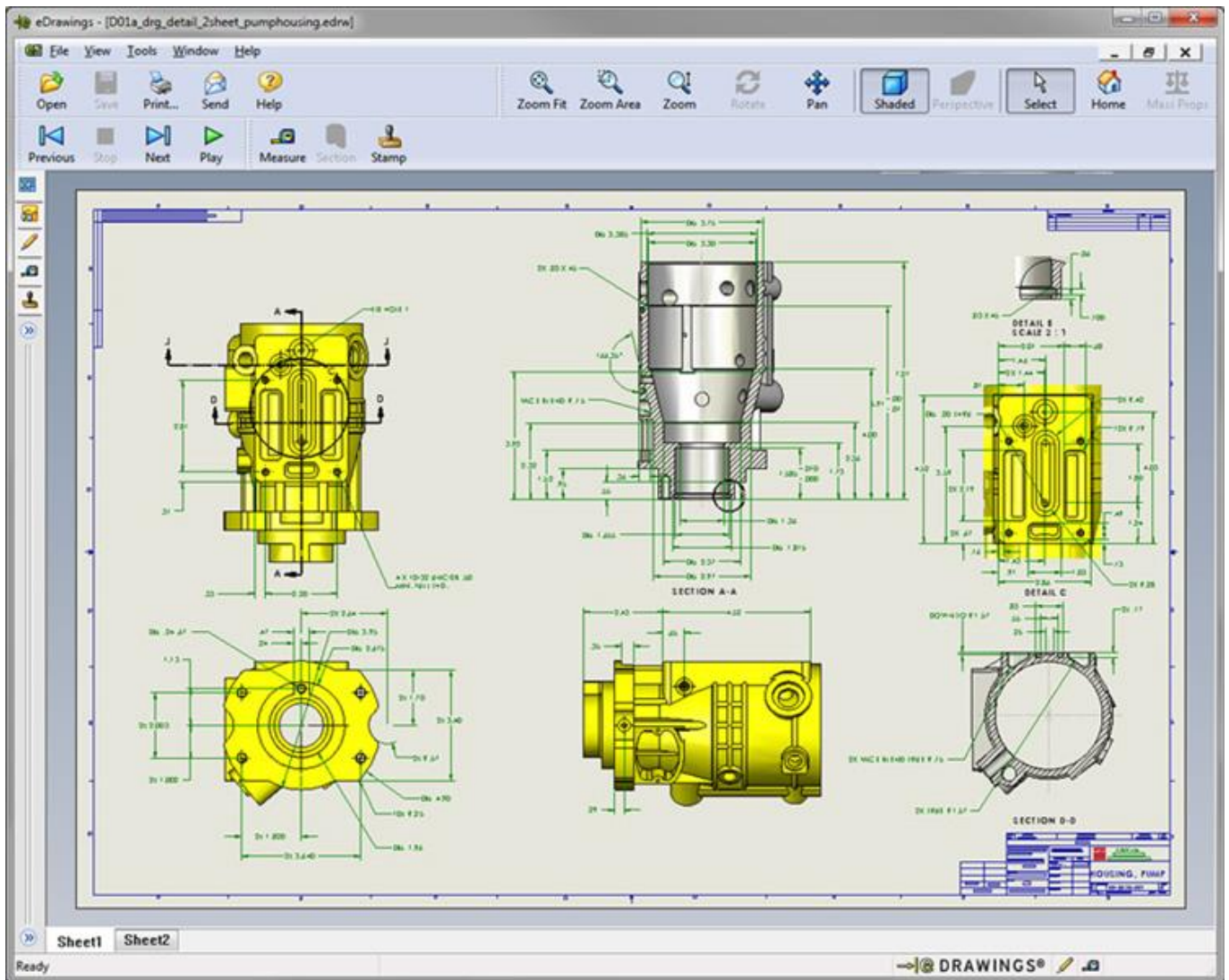
1. [software engineering](#)
2. [software update](#)
3. [software definition](#)

In both cases, computers play an integrated part of the control system and are highly automated.. FreeCAD is a multiplatform (Windows, Mac and Linux), highly customizable and extensible software.. It is one of the best free CAD software systems that is loved by engineers and electricians around the world.. It reads and writes to many open file formats such as STEP, IGES, STL, SVG, DXF, OBJ, IFC, DAE and many others, making it possible to seamlessly integrate it into your workflow.

## **software engineering**

software plural, software download, software engineer salary, software engineer, software, software developer, software developer salary, software engineer salary nyc, software engineer jobs, software as a service, software engineering, software examples, software update, software definition, software ne demek, software engineer salary istanbul [Download Microsoft Office 365 Free For Mac](#)

Free Cad Cam Software Cnc. In both cases, computers play an integrated part of the control system and are highly automated.. Blender CAM is an extension for the free open-source Blender 3d package It has been used for many milling projects, and is actively developed. [Microsoft Office 2016 Free Download Mac](#)



[John The Ripper Crack Sha512 Encryption](#)

## software update

[Wd Passport For Mac Drivers](#)

AutoCAD Student Version Part of the Autodesk family of modeling applications Cad cam free download - CAD File Converter M, CAD COMPO4, AutoQ3D CAD, and many more programs.. MasterCAM for solidworks is one of the first software that integrated a CAD program with CAM software and so if you are looking for a CAD CAM software, go for MasterCAM.. This software is the oldest and the first one to introduce the use of mechanist and engineers, you can use it for 5 axis machining. [Easybox Wpa2 Keygen Software For Mac](#)

## software definition

[تحميل نید فور سبید 2019 دارن برابط واحد](#)

Contact the appleCAD Team and a CAD expert will answer your questions The service is free and designed to clarify your choices when using an Apple Mac for CAD.. Free cad software Get USB WebCam drivers for Mac OS X Free to try User rating.. While CNC cam software, free download is available, you need the best CNC programming software for the

---

accomplishment of related tasks.. You can not buy software from this site but we can advise you of the best places to get your choice of CAD for Mac software.. CNC Cam software refers to the use of software for controlling machine tools used for manufacturing workpieces. b0d43de27c [Stormfall Cheats No Download](#)

b0d43de27c

[Calibre Download For Mac](#)